



Bathroom Accessories, Faucets, and Shower Plumbing



Quality Plumbing Fixtures Made of Solid No Lead Brass

European Valves

Solid Metal Pop-Up Assemblies

Stainless Steel Flex Hoses

No Set Screws on Handles

Shipped Pre-Assembled in the Box for Hassle Free Installation

Designed and Engineered in the USA

v.8-20



For your convenience, these products are stocked in our Central Service Center.

Orders placed before 2pm are available within 1 business day for MD, VA, and Raleigh NC locations. Greensboro NC ships within 48 hours.

mosaic 
Products. Design. Solutions.

Care Instructions

WARNING: Do not clean your SANTEC product with ammonia (window cleaner), bleach, acids, abrasives, harsh polish, harsh cleaners, a coarse surfaced cloth, coarse sponge, or any type of scouring pad. Doing so may ruin your faucet finish and/or void the warranty.

Thank you for making SANTEC a part of your lifestyle and luxury spa experience. Our products have been created as works of enduring quality and sophisticated design.

Luxurious finishes need proper care and attention, so in order to understand how to properly clean your distinctive luxury finish, please refer to the finish care information below:

Your SANTEC product can be identified in one of two categories: clear coated finishes or non-clear coated finishes. Clear coated finishes are more scratch-sensitive and are more reactant to harsh cleaning chemicals than non-clear coated finishes. Once you have identified the specific luxury finish of your SANTEC product, please follow the important corresponding care instructions.

Clear Coated Finishes

We recommend that all faucets, drains, etc., be gently wiped dry with a soft cloth after use to avoid water spotting and water deposit build-up. A mild liquid hand soap may be used occasionally if desired. Use of a non-abrasive carnauba wax will add protection to the finish and should be used if the faucets will not be dried after use. Santec Orobrass kitchen products are clear coated. For clear coated finishes, it is recommended to clean your product weekly with a soft moist cloth.

Non-Clear Coated Finishes

We recommend that all faucets, drains, etc., be gently wiped dry with a soft cloth after use to avoid water spotting and water deposit build-up. A mild liquid hand soap may be used occasionally if desired. Use of a non-abrasive carnauba wax is occasionally required and will add protection to the finish if the faucets will not be dried after use.

Warranty

SANTEC is committed to enhancing your bathroom experience by creating luxury products that will provide enduring satisfaction. Every effort has been made to satisfy the highest standards of design and production, to create lasting peace of mind for our customers. We provide the following limited warranties on our products:

- Lifetime Warranty on Polished Chrome, Polished Nickel, and Satin Nickel Finishes
- 10 Year Warranty on Matte Black Finishes
- Lifetime Warranty on Cartridges
- 10 Year Warranty on Parts

For more information, please visit www.santecfaucet.com

Britani

Shower Functions



Shower Head

Chrome	SA70793010	\$63.63
Satin Nickel	SA70793075	\$91.84



Shower Head, 9.5" Round

Chrome	SA70790910	\$219.10 †
Satin Nickel	SA70790975	\$278.80 †



Hand Shower w/ Adjustable Bracket

Chrome	SA70834010	\$154.16
Satin Nickel	SA70834075	\$186.30



Hand Shower w/ Slide Bar

Chrome	SA70844110	\$210.58
Satin Nickel	SA70844175	\$248.62

Tub



Tub Spout

Chrome	SA2318ST-00-10	\$99.41
Satin Nickel	SA2318ST-00-75	\$119.29



Roman Tub Filler*

Chrome	SA4150BL10-TM	\$446.74
Satin Nickel	SA4150BL75-TM	\$513.65

Accessories



Paper Holder

Chrome	SA4165IU10	\$40.02
Satin Nickel	SA4165IU75	\$47.23



Towel Ring

Chrome	SA4164IU10	\$41.33
Satin Nickel	SA4164IU75	\$48.54



Robe Hook

Chrome	SA4166IU10	\$35.42
Satin Nickel	SA4166IU75	\$41.98



24" Towel Bar

Chrome	SA4161IU10	\$64.29
Satin Nickel	SA4161IU75	\$75.44

Lavatory Faucet



Widespread Faucet

Chrome	SA4120BL10	\$300.45
Satin Nickel	SA4120BL75	\$326.69

Thermostatic Trim*



1/2" Thermostatic Trim Volume Control (Transitional)

Chrome	SA7095BL10-TM	\$238.13
Satin Nickel	SA7095BL75-TM	\$280.77

1/2" Thermostatic Trim 2 way diverter (Transitional)

Chrome	SA7097BL10-TM	\$238.13
Satin Nickel	SA7097BL75-TM	\$280.77

1/2" Thermostatic Trim 3 way diverter (Transitional)

Chrome	SA7099BL10-TM	\$238.13
Satin Nickel	SA7099BL75-TM	\$280.77

1/2" Thermostatic Trim 2 way shared (Transitional)

Chrome	SA7096BL10-TM	\$238.13
Satin Nickel	SA7096BL75-TM	\$280.77

1/2" Thermostatic Trim 3 way shared (Transitional)

Chrome	SA7098BL10-TM	\$137.29 †
Satin Nickel	SA7098BL75-TM	\$180.40 †

Pressure Balanced Trim*



Trim Pressure Balanced Control

Chrome	SA4131BL10-TM	\$156.13
Satin Nickel	SA4131BL75-TM	\$184.34



Trim Pressure Balanced Control with Diverter

Chrome	SA4135BL10-TM	\$162.03
Satin Nickel	SA4135BL75-TM	\$190.90



* Required rough-in valves on pages 8-9

†Discontinued - Please check availability

Chadwick

Shower Functions



Shower Head

Chrome	SA70793010	\$63.63
Satin Nickel	SA70793075	\$91.84



Shower Head, 9.5" Round

Chrome	SA70790910	\$219.10 †
Satin Nickel	SA70790975	\$278.80 †



Hand Shower w/ Adjustable Bracket

Chrome	SA70834010	\$154.16
Satin Nickel	SA70834075	\$186.30



Hand Shower w/ Slide Bar

Chrome	SA70844110	\$210.58
Satin Nickel	SA70844175	\$248.62

Tub



Tub Spout

Chrome	SA2318ST-00-10	\$99.41
Satin Nickel	SA2318ST-00-75	\$119.29



Roman Tub Filler*

Chrome	SA4350GL10-TM	\$446.74
Satin Nickel	SA4350GL75-TM	\$513.65

Accessories



Paper Holder

Chrome	SA4165IU10	\$40.02
Satin Nickel	SA4165IU75	\$47.23



Towel Ring

Chrome	SA4164IU10	\$41.33
Satin Nickel	SA4164IU75	\$48.54



Robe Hook

Chrome	SA4166IU10	\$35.42
Satin Nickel	SA4166IU75	\$41.98



24" Towel Bar

Chrome	SA4161IU10	\$64.29
Satin Nickel	SA4161IU75	\$75.44



* Required rough-in valves on pages 8-9

Lavatory Faucet



Widespread Faucet

Chrome	SA4320GL10	\$287.98
Satin Nickel	SA4320GL75	\$325.38

Thermostatic Trim*



1/2" Thermostatic Trim Volume Control (Traditional)

Chrome	SA7095GL10-TM	\$238.13
Satin Nickel	SA7095GL75-TM	\$280.77

1/2" Thermostatic Trim 2 way diverter (Traditional)

Chrome	SA7097GL10-TM	\$238.13
Satin Nickel	SA7097GL75-TM	\$280.77

1/2" Thermostatic Trim 3 way diverter (Traditional)

Chrome	SA7099GL10-TM	\$238.13
Satin Nickel	SA7099GL75-TM	\$280.77

1/2" Thermostatic Trim 2 way shared (Traditional)

Chrome	SA7096GL10-TM	\$238.13
Satin Nickel	SA7096GL75-TM	\$280.77

1/2" Thermostatic Trim 3 way shared (Traditional)

Chrome	SA7098GL10-TM	\$137.29 †
Satin Nickel	SA7098GL75-TM	\$180.40 †

Pressure Balanced Trim*



Trim Pressure Balanced Control

Chrome	SA4331GL10-TM	\$156.13
Satin Nickel	SA4331GL75-TM	\$184.34



Trim Pressure Balanced Control with Diverter

Chrome	SA4335GL10-TM	\$162.03
Satin Nickel	SA4335GL75-TM	\$190.90

*Discontinued - Please check availability

Shower Functions



Shower Head with Arm & Flange

Matte Black	SA70791591	\$222.38
-------------	------------	----------



Shower Arm, Universal 15" Wall Mount

Matte Black	SA26861691	\$163.47
-------------	------------	----------



Shower Head, 8" Round Rain Head

Matte Black	SA70802691	\$341.67
-------------	------------	----------



Hand Shower with Adjustable Bracket

Matte Black	SA70835191	\$200.08
-------------	------------	----------



Hand Shower with Slide Bar

Matte Black	SA70847191	\$307.01
-------------	------------	----------

Circ

Tub



Tub Spout

Matte Black	SA4518CI91	\$180.40
-------------	------------	----------

Lavatory Faucet



Widespread Faucet

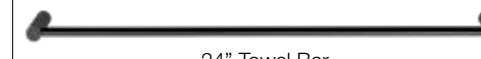
Matte Black	SA3920CI91	\$423.78
-------------	------------	----------

Accessories



Paper Holder

Matte Black	SA6665BO91	\$50.51 †
-------------	------------	-----------



24" Towel Bar

Matte Black	SA6661BO91	\$78.72 †
-------------	------------	-----------

Thermostatic Trim*



1/2" Thermostatic Trim Volume Control

Matte Black	SA7095CI91-TM	\$308.98
-------------	---------------	----------

1/2" Thermostatic Trim 2 way diverter

Matte Black	SA7097CI91-TM	\$308.98
-------------	---------------	----------

1/2" Thermostatic Trim 3 way diverter

Matte Black	SA7099CI91-TM	\$308.98
-------------	---------------	----------

1/2" Thermostatic Trim 2 way shared

Matte Black	SA7096CI91-TM	\$308.98
-------------	---------------	----------

Pressure Balanced Trim*



Trim Pressure Balanced Control

Matte Black	SA3931CI91-TM	\$202.70
-------------	---------------	----------



Trim Pressure Balanced Control with Diverter

Matte Black	SA3935CI91-TM	\$209.92
-------------	---------------	----------



* Required rough-in valves on pages 8-9

*Discontinued - Please check availability

Ebis

Shower Functions



Shower Head

Chrome	SA70795010	\$63.63
Satin Nickel	SA70795075	\$84.62



Shower Head, 8" Round

Chrome	SA70791910	\$159.41 †
Satin Nickel	SA70791975	\$215.17 †



Hand Shower w/ Adjustable Bracket

Chrome	SA70835010	\$154.16
Satin Nickel	SA70835075	\$186.30



Hand Shower w/ Slide Bar

Chrome	SA70845110	\$210.58
Satin Nickel	SA70845175	\$248.62

Tub



Tub Spout

Chrome	SA6618BO10	\$140.38
Satin Nickel	SA6618BO75	\$160.72



Roman Tub Filler*

Chrome	SA3750HY10-TM	\$518.90
Satin Nickel	SA3750HY75-TM	\$612.05

Lavatory Faucets



Widespread Faucet

Chrome	SA3720HY10	\$342.43
Satin Nickel	SA3720HY75	\$400.16

Single Hole Faucet

Chrome	SA3780HY10	\$243.38
Satin Nickel	SA3780HY75	\$286.67

Accessories



Paper Holder

Chrome	SA6665BO10	\$40.02 †
Satin Nickel	SA6665BO75	\$45.92 †

Towel Ring

Chrome	SA6664BO10	\$37.39 †
Satin Nickel	SA6664BO75	\$41.98 †

24" Towel Bar

Satin Nickel	SA6661BO75	\$71.50 †
--------------	------------	-----------

Thermostatic Trim*



1/2" Thermostatic Trim Volume Control (Contemporary)

Chrome	SA7095HY10-TM	\$238.13
Satin Nickel	SA7095HY75-TM	\$280.77

1/2" Thermostatic Trim 2 way diverter (Contemporary)

Chrome	SA7097HY10-TM	\$238.13
Satin Nickel	SA7097HY75-TM	\$280.77

1/2" Thermostatic Trim 3 way diverter (Contemporary)

Chrome	SA7099HY10-TM	\$238.13
Satin Nickel	SA7099HY75-TM	\$280.77

1/2" Thermostatic Trim 2 way shared (Contemporary)

Chrome	SA7096HY10-TM	\$238.13
Satin Nickel	SA7096HY75-TM	\$280.77

1/2" Thermostatic Trim 3 way shared (Contemporary)

Satin Nickel	SA7098HY75-TM	\$180.40 †
--------------	---------------	------------

Pressure Balanced Trim*



Trim Pressure Balanced Control

Chrome	SA3731HY10-TM	\$156.13
Satin Nickel	SA3731HY75-TM	\$184.34



Trim Pressure Balanced Control with Diverter

Chrome	SA3735HY10-TM	\$162.03
Satin Nickel	SA3735HY75-TM	\$190.90

Shower Functions



Shower Head with Arm & Flange

Matte Black	SA70791591	\$222.38
-------------	------------	----------



Shower Arm, 16" Wall Mount Rain Head

Matte Black	SA70871391	\$270.25
-------------	------------	----------



Shower Head, 8" Square Rain Head

Matte Black	SA70803291	\$395.43
-------------	------------	----------



Hand Shower with Adjustable Bracket

Matte Black	SA70836091	\$207.95
-------------	------------	----------



Hand Shower with Slide Bar

Matte Black	SA70846191	\$331.28
-------------	------------	----------

Metra

Tub



Tub Spout

Matte Black	SA2818ST91	\$206.64
-------------	------------	----------

Lavatory Faucets



Widespread Faucet

Matte Black	SA2420MD91	\$422.46
-------------	------------	----------

Single Hole Faucet

Matte Black	SA2480MD91	\$335.87
-------------	------------	----------

Accessories



Paper Holder

Matte Black	SA2465MD91	\$50.51 †
-------------	------------	-----------



24" Towel Bar

Matte Black	SA2461MD91	\$78.72 †
-------------	------------	-----------

Thermostatic Trim*



1/2" Thermostatic Trim Volume Control

Matte Black	SA7095MD91-TM	\$319.47
-------------	---------------	----------

1/2" Thermostatic Trim 2 way diverter

Matte Black	SA7097MD91-TM	\$319.47
-------------	---------------	----------

1/2" Thermostatic Trim 3 way diverter

Matte Black	SA7099MD91-TM	\$319.47
-------------	---------------	----------

1/2" Thermostatic Trim 2 way shared

Matte Black	SA7096MD91-TM	\$319.47
-------------	---------------	----------

Pressure Balanced Trim*



Trim Pressure Balanced Control

Matte Black	SA2431MD91-TM	\$209.92
-------------	---------------	----------









Trim Pressure Balanced Control with Diverter

Matte Black	SA2435MD91-TM	\$223.70
-------------	---------------	----------

Valves / Diverters

	Series	Pipe Size	GPM	Diverts	Shared Function?	Price		
Pressure Balance Valves								
	SAPB-3600	Pressure Balance Control Valve (for systems with 1 function)	E-Series	1/2"	4-5	1-Way	No	\$188.81
	SAPB-3750	Pressure Balance Control with Diverter Valve (for systems with 2 functions - sharing not possible)	E-Series	1/2"	4-5	2-Way	No	\$220.89
	SAPB-3800	Pressure Balance Control Valve (for systems with 1 function)	Designer	1/2"	6	1-Way	No	\$254.05
	SAPB-3950	Pressure Balance Control with Diverter Valve (for systems with 2 functions - sharing not possible)	Designer	1/2"	6	2-Way	No	\$338.73
Diverters								
	SASA2WAY20 (DISC-Check Availability)	2-Way Wall Mount Diverter/Calgreen	Both	1/2"	9	2-Way	No	\$89.03
	SASA3WAY20 (DISC-Check Availability)	3-Way Wall Mount Diverter/Calgreen	Both	1/2"	9	3-Way	No	\$97.94
	SASA3WAY30	3-Way Wall Mount Diverter	Designer	1/2"	9	3-Way	Yes	\$153.90
Volume Control Valves								
	SASASTOP12	1/2" Wall Mount Volume Control Valve (connects to a Volume Control Handle sold separately)	Designer	1/2"	10	1-Way	No	\$65.54
	SASASTOP34	3/4" Wall Mount Volume Control Valve (connects to a Volume Control Handle sold separately)	Designer	3/4"	12	1-Way	No	\$74.37
Floor Mount Tub Filler Valves								
	SAP0385	Roman Tub Filler Complete Set	E-Series	3/4"	14-16	N/A	No	\$216.51
	SAP0800	Floor Mount Tub Filler Valve	E-Series	1/2"	16	N/A	No	\$307.64
	N/A	Designer Series Floor Mount Tub Fillers Include Valve	Designer	1/2"	8-9	N/A	No	N/A

Valves / Diverters

	Series	Pipe Size	GPM	Diverts	Shared Function?	Price		
Thermostatic Valves								
	SATH-8010	1/2" Therm Valve with Volume Control (for systems with 1 function)	Both	1/2"	6	1-Way	No	\$287.96
	SATH-8210	1/2" Therm Valve with Volume Control/2-Way Diverter (for systems with 2 functions / non-shared)	Both	1/2"	6	2-Way	No	\$354.93
	SATH-8212	1/2" Therm Valve with Volume Control/2-Way Diverter (for systems with 2 functions / 1 shared)	Both	1/2"	6	2-Way	Yes	\$351.38
	SATH-8310	1/2" Therm Valve with Volume Control/3-Way Diverter (for systems with 3 functions / non-shared)	Both	1/2"	6	3-Way	No	\$360.86
	SATH-8313	1/2" Therm Valve with Volume Control/3-Way Diverter (for systems with 3 functions / 2 shared)	Both	1/2"	6	3-Way	Yes	\$364.50
	SATH-5034	3/4" Therm Control Valve (for systems that require individual control over each function)	Designer	3/4"	20	1-Way	No	\$378.49

Thermostatic Systems Examples with Rough-In Valve Options



SATH-8010
(1-Way / Non-Shared)

SATH-8210
(2-Way / Non-Shared)

SATH-8310
(3-Way / Non-Shared)

SATH-8212
(2-Way / 1 Shared)

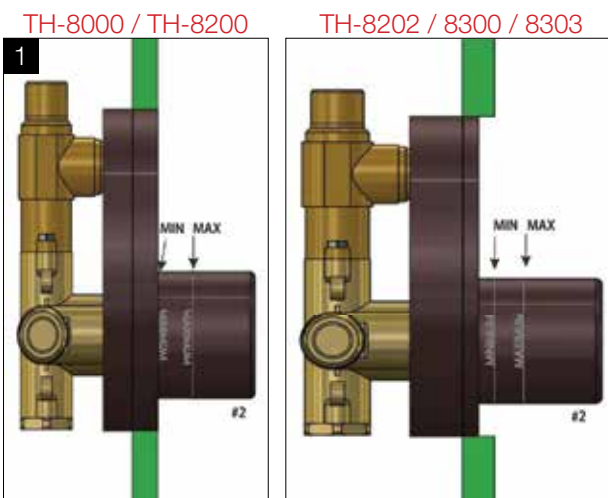
SATH-8313
(3-Way / 2 Shared)

Shower System Installation Highlights

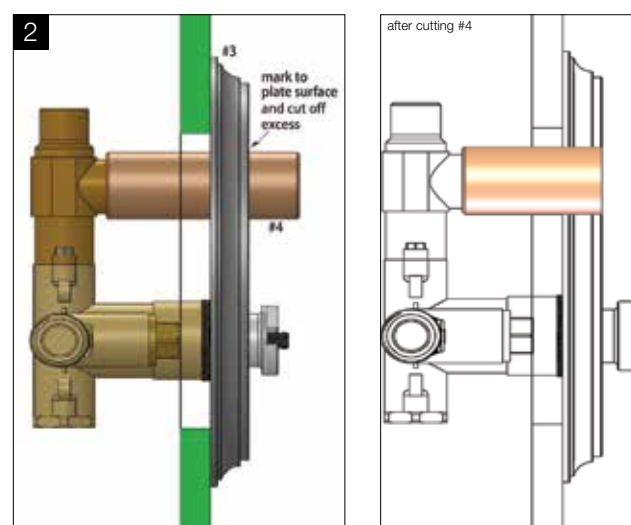


<https://youtu.be/PbJhOVvr2GU>

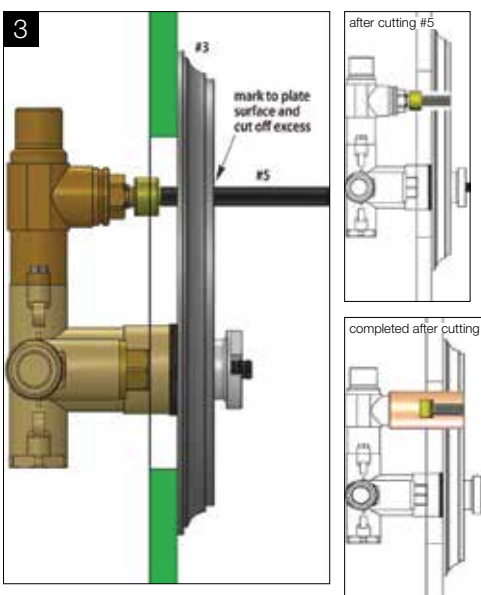
Thermostatic Valve Installation Instructions



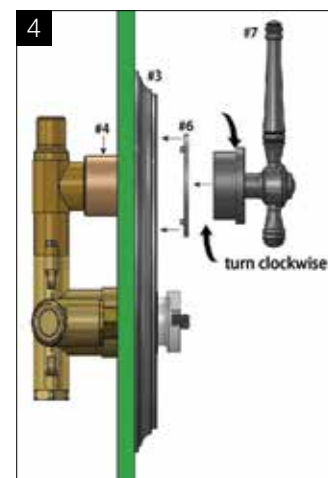
- Rough in the valve, lining the surface of the finished wall to the mudguard min/max line.



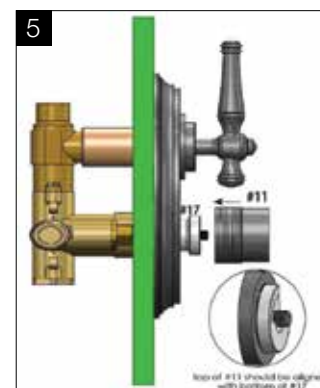
- Place #3 plate up against finished wall over valve.
- Screw all thread extension #4 onto the volume control / diverter valve until it stops.
- Mark #4 to the surface of the plate.
- Remove it and **cut off excess thread extension.**



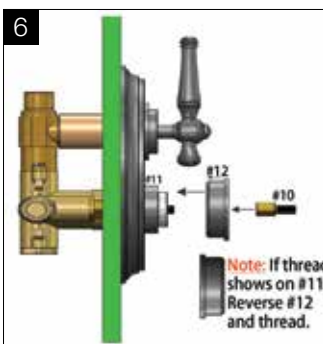
- Once #4 is cut to the surface, insert #5 broach extension.
- Mark to surface of plate #3, remove and **cut off excess broach extension.**
- Re-install parts #4 and #5.



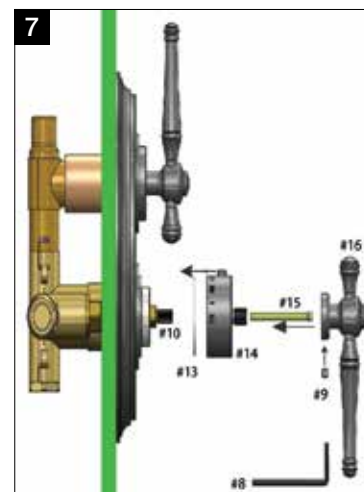
- Place plate #3 on the finished wall.
- Install #6 diverter ring. (Making sure the OFF position faces the 12 o'clock position.)
- Hand tighten On/Off handle assembly #7 to all thread extension #4 until flush against #6 diverter ring.
- Note: Make sure lever is pointing to the 12 o'clock position.



- Screw on threaded sleeve #11 onto thermostatic valve. Tighten all the way. The top of #11 threaded sleeve should be aligned to the bottom of #17 temperature restrictor.



- Hand tighten thermostatic flange #12 to threaded sleeve #11. Make sure #12 is flush against finished wall.
- Insert broach extension #10 onto thermostatic stem.



- Insert teflon washer #13 to bottom of #14.
- Insert the thermostatic dial #14 with the 100° pointing to the 12 o'clock position over the extension broach #10.
- Secure with the provided long screw #15 and **cut excess length to fit.**
- Assemble the thermostatic handle #16 onto the thermostatic dial #14 and tighten with the set screw #9.
- Note: Make sure the lever is pointing to 6 o'clock position.

Shower System Installation Highlights



<https://youtu.be/PbJhOVvr2GU>



Products. Design. Solutions.

Alexandria, VA | Chantilly, VA | Fairfax, VA | Richmond, VA | Virginia Beach, VA
North Bethesda, MD* | Owings Mills, MD* | Greensboro, NC | Raleigh, NC

www.mosaictileco.com



Noted (*) locations are
100% wind powered!
All locations support
renewable power sources.

